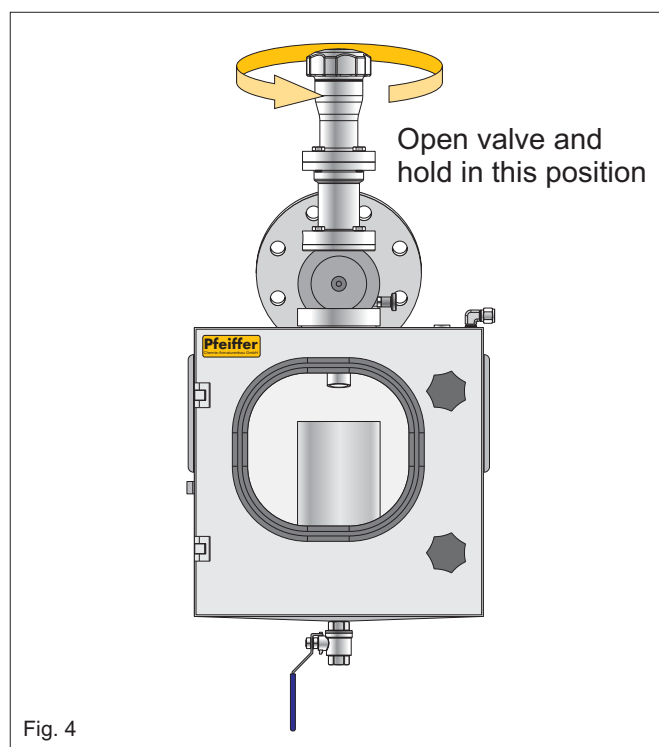
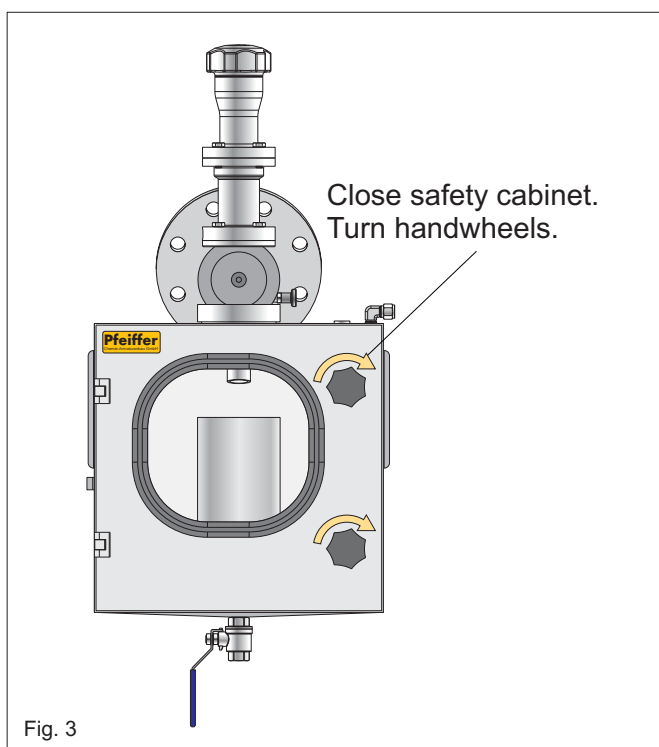
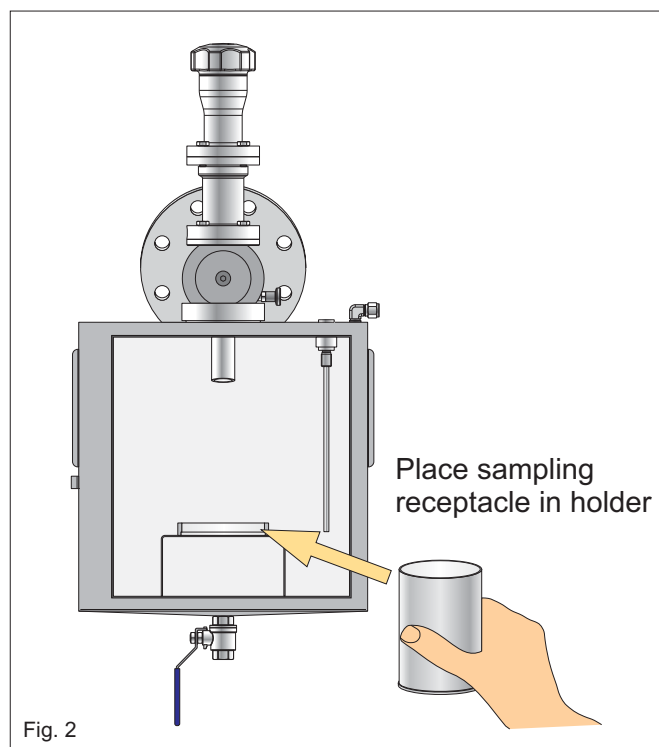
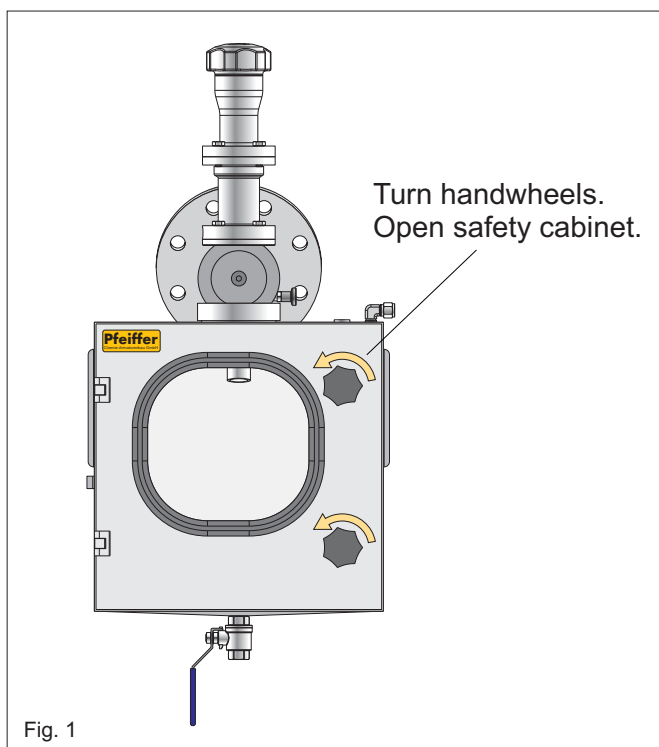


# Operating Instructions

## Series 27f - Type B

### with spring-to-close handwheel and safety cabinet



# Operating Instructions

## Series 27f - Type B

### with spring-to-close handwheel and safety cabinet

