

Sample - Ball Valve Series 27a

Piggable version for food and drug applications



Fig. 1 - Sample-Ball Valve Series 27a

Application:

- Product sampling out of horizontal pipes without bypass.
- Sampling discontinuous and crossover free.

Versions:

This special designed sample valve has get the following features:

- High sample vol. 85 ml per switch.
- Product wetted parts polished.
- Ball and drain piece anti stick coated.
- Full bore straight port piggable with diameter acc. to piping DIN 11850 for food and drug applications.
- Sample basin SS, Vol. 1 Liter, with spring loaded holder.
- Valve with heating jacket for special applications.

Operation:

- Hand lever (in pigging systems in addition with dead man's handle)
- double acting pneumatic actuator Pfeiffer Series 31a DAP 180°

Materials:

Body	WN 1.4571 optionally WN 1.4404
Ball and drain piece	WN 1.4571 with anti stick plated
Shaft and stuffing box	WN 1.4571
Seat ring	PTFE
Stuffing box packing	Live-loadet PTFE V-ring packing
Heating jacket	VA
Andruckvorrichtung	VA
Sample basin	VA
Sealing	all sealings with FDA - certification

Table 1 - Materials (WN = Material Number acc. to DIN)

Sample - Ball Valve Series 27a

Dimensions:

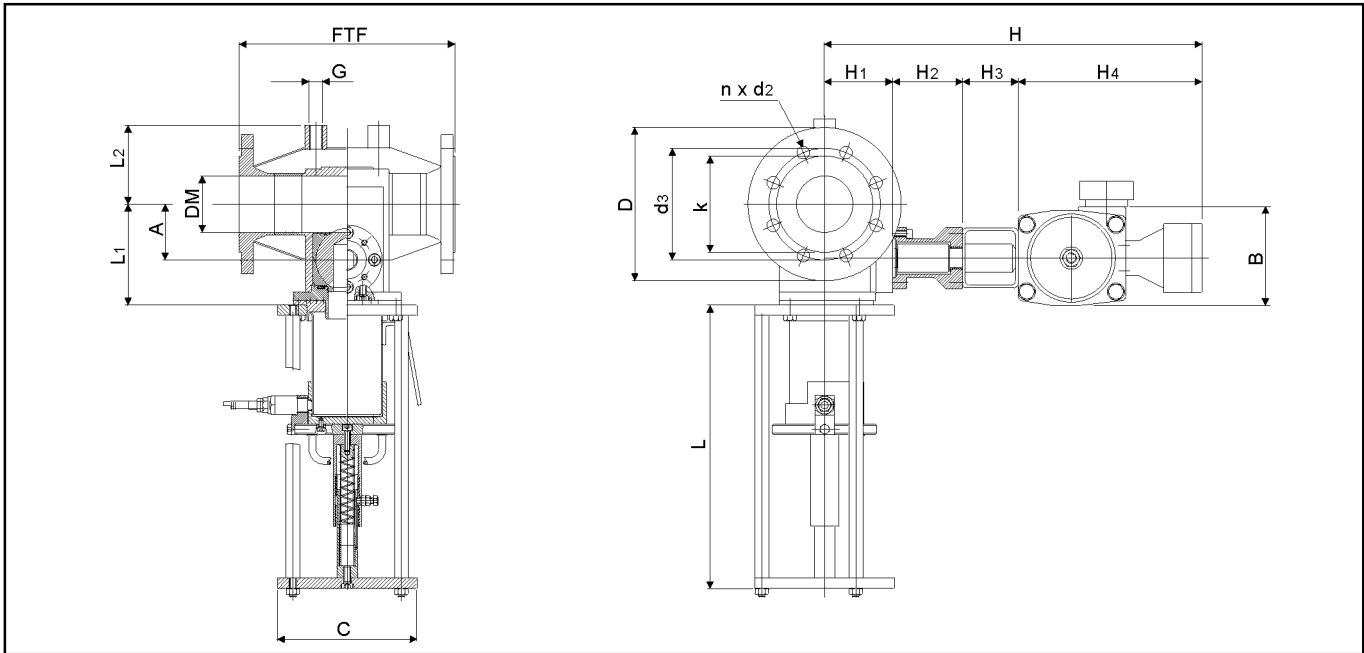


Fig. 2 - Dimensions

DN	80	100
DM	81	100
FTF	310	350
A	80	89,5
D	200	220
k	160	180
n x d2	8 x 18	8 x 18
d3	138	158
H	H1+H2+H3+H4	
H1	98	98
H2	100	100
H3	80	80
H4	265	265
B	143	143
L	406	406
L1	144,5	154
L2	112	122
C	200	200
G	3/4"	3/4"

Table 2 - Dimensions in mm

Description and Datas:

All further details and techn. datas are given in the sheets

- Series 27a = TB 27a_EN

**For your special requirements please contact our
technical sales department.**

Pfeiffer Chemie-Armaturenbau GmbH

Hooghe Weg 41 • 47906 Kempen

Telefon: 02152 / 2005-0 • Telefax: 02152 / 1580

E-Mail: vertrieb@pfeiffer-armaturen.com • Internet: www.pfeiffer-armaturen.com

Values subject to change